

VEGA  
High Bay



# APPLICATION

Ideal for warehouse and industrial, park closed commercial complex



# FEATURES

Vega Family offers high cooling aluminum with zip technology and 3D cooling created air convection channel, make it good even for hot areas.

High lumen output.

High Power saving fixture.

Driver very well protected with universal input voltage 100-250 VAC.

Over temperature protect on, Overload protect on, Short-circuit protect on and No-load protect on.







# Vega L High Bay

## PRODUCT DETAILS

Family Name	Vega
Part Number	VEG-L-XW- XXXX
Power Supply	Philips/ Gruenes Licht/ Meanwell/ Tridonic
Installation	Suspended / Wall Mounting
Power	60W/100W/150W/200W
Color Rendering Index CRI	70/80 %
Beam Angle	60° / 90° / 110°
Storage Temperature	- 40 - +85°C
IP Rating	IP65
Lifespan	50,000 Hours
Lumen/Watt	130 Lm/W
Input	220 VAC / 50- 60Hz
Power Factor Correction PFC	>.95
LEDs	Lifud / Meanwell / Philips
Flux	7,800/13,000/ 19,500/26,000 Lum
Correlated Color Temperature CCT	3000/ 4000 / 5000
Warranty	Up to 5 Years

## FEATURES

- ◆ Cooling fins as heat sink with die casting.
- ◆ High performance optics system with practical light patterns for massive applications, which is ideal to directly replace 150w,250w and 400w HID in any places.
- ◆ Trimming excess light to reduce glare under 22 with 60deg lens and under 25 with 90deg.
- ◆ 50%.less power consumption than traditional light sources.
- ◆ Classic design of circular shape UFO.
- ◆ 50000 Hours.
- ◆ Up to five years warranty.



3000K  
6000K

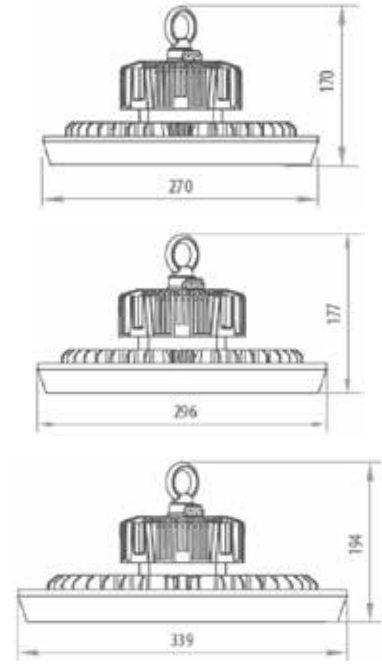
110

50 000  
Hours

CRI  
> 80

IP 65

Up to  
5 Year  
Guarantee

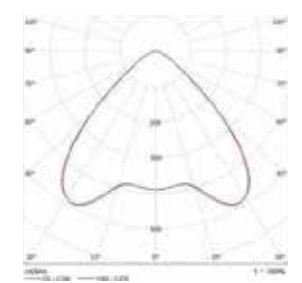


## PRODUCT APPLICATION

Warehouse, Malls, Football field, Workshops, Factories, General Lighting, etc...



## BEAM ANGLE



Order Code	Color Temperature	LED Power
VEG-L-60W- XXXX	3000K /4000K / 5000K	60W
VEG- L-100W- XXXX	3000K /4000K / 5000K	100W
VEG-L-150W- XXXX	3000K /4000K / 5000K	150W
VEG-L-200W- XXXX	3000K /4000K / 5000K	200W





# Vega H High Bay

## PRODUCT DETAILS

Family Name	Vega
Part Number	VEG-H-XW- XXXX
Materials	Die-casting ADC12 Structure, powder coated finish, polycarbonate Lens.
Power supply	Philips/ Gruenes Licht/ Meanwell/ Tridonic
Installation	Suspended / Wall mounting
Power	100W/150W/200W
Color Rendering Index CRI	70/80 %
Beam Angle	60° / 90° / 100°
Storage Temperature	- 40 - +85°C
IP Rating	IP65
Lifespan	50,000 Hours
Lumen/Watt	150Lm/W
Input	220 / 50- 60Hz
Power Factor Correction PFC	>.95
LEDs	Lifud / Meanwell / Philips
Flux	14,000/21,000/28,000 Lum
Correlated Color Temperature CCT	3000 / 4000 / 6000
Warranty	Up to 5 Years

## FEATURES

- ◆ Cooling fins as heat sink with die casting.
- ◆ High performance optics system with practical light patterns for massive applications, which is ideal to directly replace 150w,250w and 400w HID in any places.
- ◆ Trimming excess light to reduce glare under 22 with 60deg lens and under 25 with 90deg.
- ◆ 50%.less power consumption than traditional light sources.
- ◆ Classic design of circular shape UFO.
- ◆ 50000 Hours.
- ◆ Up to five years warranty.



3000K  
6000K

110

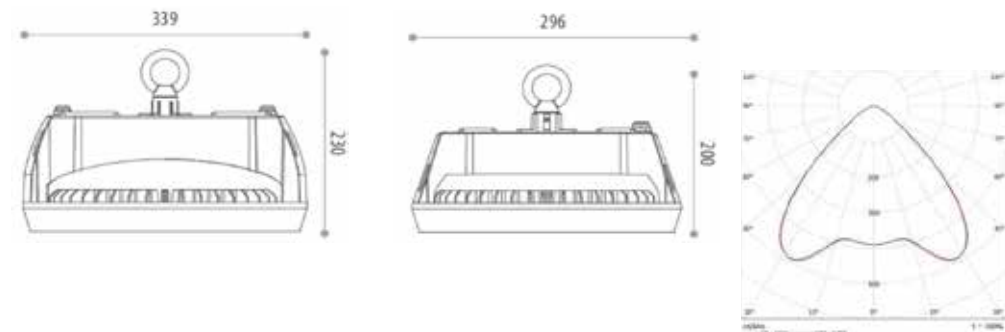
50 000  
Hours

CRI  
> 80

IP 65

Up to  
5 Year  
Guarantee

## BEAM ANGLE



## PRODUCT APPLICATION

Warehouse, Malls, Football field, Workshops, Factories, General Lighting, etc...



Order Code	Color Temperature	LED Power
VEG-H-100W- XXXX	3000K /4000K / 5000K	100W
VEG-H-150W- XXXX	3000K /4000K / 5000K	150W
VEG-H-200W- XXXX	3000K /4000K / 5000K	200W





# Vega HB High Bay

## PRODUCT DETAILS

Family Name	Vega
Part Number	VEG-HB-100W-XX-SMD-T
Materials	Aluminum, Pc and Eco- Friendly materials, Tempered glass
Installation	Hanging Kit
Power	100W
Color Rendering Index CRI	80%
Beam Angle	60° , 90° , 120°
Storage Temperature	- 40 - +85°C
IP Rating	IP65
Lifespan	50,000 Hours
Lumen/Watt	150/160 Lm/W
Input	220 / 50- 60Hz
Power Factor Correction PFC	>.90
LEDs	SMD 3030, Lumileds / Nichia
Flux	15000 Lum
Correlated Color Temperature CCT	5700/ 4000 / 3000
Warranty	Up to 5 Years

## FEATURES

- ◆ Fixture designed for Harsh and hot environments. High lumen output.
- ◆ Power saving as it replace the Sodium, metal halide so it save between 50% to 75% of the consumed power.
- ◆ Unlimited numbers of on/off switching cycles.
- ◆ Aluminum heat dissipation module has surface anodic oxidation process to make it very resistant and anti-aging fixture
- ◆ Over temperature protection, Overload protection, Short-circuit protection, and No-load protection
- ◆ The Driver is included and it is IP65, and PF>0.9.
- ◆ Dimmable option available with different control options Long life 50000 Hours.
- ◆ Up to five years warranty.



3000K  
6000K

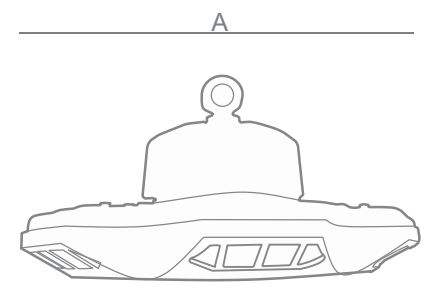
110

50 000  
Hours

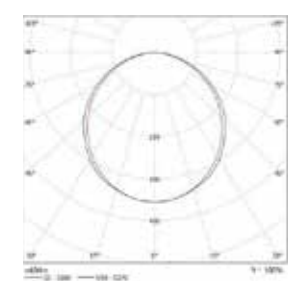
CRI  
> 80

IP 65

Up to  
5 Year  
Guarantee



## BEAM ANGLE



## PRODUCT APPLICATION

Warehouse, Factories, Toll Stations, Gas Stations, SuperMarkets, Exhibition halls, Stadiums, Car Parks



PRODUCT DIMENSION		
Model	A mm	B mm
VEG-HB-100W-XX-SMD-T	300	188

Order Code	Color Temperature	LED Power
VEG-HB-100W-3000-SMD-T	3000K	100W
VEG-HB-100W-4000-SMD-T	4000K	100W
VEG-HB-100W-5700-SMD-T	5000K	100W



# Vega HBV2 High Bay

## PRODUCT DETAILS

Family Name	Vega
Part Number	VEG-HBV2-100W-XX-SMD-T
Materials	Aluminum, Pc and Eco- Friendly materials, Tempered glass
Installation	Hanging Kit
Power	100W
Color Rendering Index CRI	80%
Beam Angle	60°, 90°, 120°
Storage Temperature	- 40 - +85°C
IP Rating	IP65
Lifespan	50,000 Hours
Lumen/Watt	150/160 Lm/W
Input	220 / 50- 60Hz
Power Factor Correction PFC	>.90
LEDs	SMD 3030, Lumileds / Nichia
Flux	15000 Lum
Correlated Color Temperature CCT	5700/ 4000 / 3000
Warranty	Up to 5 Years

## FEATURES

- ◆ Fixture designed for Harsh and hot environments. High lumen output.
- ◆ Power saving as it replace the Sodium, metal halide so it save between 50% to 75% of the consumed power.
- ◆ Unlimited numbers of on/off switching cycles.
- ◆ Aluminum heat dissipation module has surface anodic oxidation process to make it very resistant and anti-aging fixture
- ◆ Over temperature protection, Overload protection, Short-circuit protection, and No-load protection
- ◆ The Driver is included and it is IP65, and PF>0.9.
- ◆ Dimmable option available with different control options Long life 50000 Hours.
- ◆ Up to five years warranty.



100w  
15000LM

3000K  
6000K

120

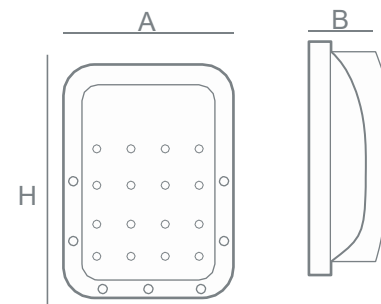
50 000  
Hours

CRI  
> 80

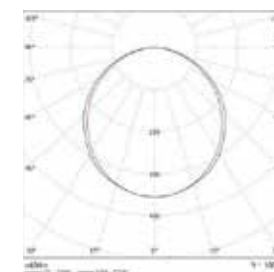
IP 65

RAL  
7045

Up to  
5 Year  
Guarantee



## BEAM ANGLE



## PRODUCT APPLICATION

Warehouse, Factories, Toll Stations, Gas Stations, SuperMarkets, Exhibition halls, Stadiums, Car Parks



PRODUCT DIMENSION			
Model	A mm	H mm	B mm
VEG-HBV2-100W-XX-SMD-T	300	370	140

Order Code	Color Temperature	LED Power
VEG-HBV2-100W-3000-SMD-T	3000K	100W
VEG-HBV2-100W-4000-SMD-T	4000K	100W
VEG-HBV2-100W-5700-SMD-T	5700K	100W





# Vega HBV2 High Bay

## PRODUCT DETAILS

Family Name	Vega
Part Number	VEG-HBV2-150W-XX-SMD-T
Materials	Aluminum, Pc and Eco- Friendly materials, Tempered glass
Installation	Hanging Kit
Power	150W
Color Rendering Index CRI	80%
Beam Angle	60°, 90°, 120°
Storage Temperature	- 40 - +85°C
IP Rating	IP65
Lifespan	50,000 Hours
Lumen/Watt	150/160 Lm/W
Input	220 / 50- 60Hz
Power Factor Correction PFC	>.90
LEDs	SMD 3030, Lumileds / Nichia
Flux	22500 Lum
Correlated Color Temperature CCT	5700/ 4000 / 3000
Warranty	Up to 5 Years

## FEATURES

- ◆ Fixture designed for Harsh and hot environments. High lumen output.
- ◆ Power saving as it replace the Sodium, metal halide so it save between 50% to 75% of the consumed power.
- ◆ Unlimited numbers of on/off switching cycles.
- ◆ Aluminum heat dissipation module has surface anodic oxidation process to make it very resistant and anti-aging fixture
- ◆ Over temperature protection, Overload protection, Short-circuit protection, and No-load protection
- ◆ The Driver is included and it is IP65, and PF>0.9.
- ◆ Dimmable option available with different control options Long life 50000 Hours.
- ◆ Up to five years warranty.



150w  
15000LM

3000K  
6000K

120

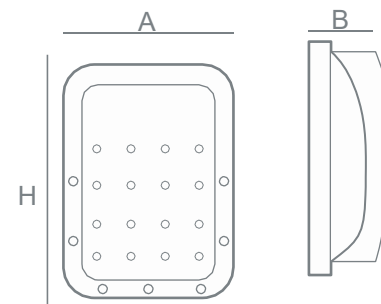
50 000  
Hours

CRI  
> 80

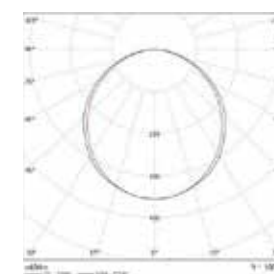
IP 65

RAL  
7045

Up to  
5 Year  
Guarantee



## BEAM ANGLE



## PRODUCT APPLICATION

Warehouse, Factories, Toll Stations, Gas Stations, SuperMarkets, Exhibition halls, Stadiums, Car Parks



## PRODUCT DIMENSION

Model	A mm	H mm	B mm
VEG-HBV2-150W-XX-SMD-T	305	370	140

Order Code	Color Temperature	LED Power
VEG-HBV2-150W-3000-SMD-T	3000K	150W
VEG-HBV2-150W-4000-SMD-T	4000K	150W
VEG-HBV2-150W-5700-SMD-T	5700K	150W



# Vega HBV2 High Bay

## PRODUCT DETAILS

Family Name	Vega
Part Number	VEG-HBV2-200W-XX-SMD-T
Materials	Aluminum, Pc and Eco- Friendly materials, Tempered glass
Installation	Hanging Kit
Power	200W
Color Rendering Index CRI	80%
Beam Angle	60° , 90° , 120°
Storage Temperature	- 40 - +85°C
IP Rating	IP65
Lifespan	50,000 Hours
Lumen/Watt	150/160 Lm/W
Input	220 / 50- 60Hz
Power Factor Correction PFC	>.90
LEDs	SMD 3030, Lumileds / Nichia
Flux	30000 Lum
Correlated Color Temperature CCT	5700/ 4000 / 3000
Warranty	Up to 5 Years

## FEATURES

- ◆ Fixture designed for Harsh and hot environments. High lumen output.
- ◆ Power saving as it replace the Sodium, metal halide so it save between 50% to 75% of the consumed power.
- ◆ Unlimited numbers of on/off switching cycles.
- ◆ Aluminum heat dissipation module has surface anodic oxidation process to make it very resistant and anti-aging fixture
- ◆ Over temperature protection, Overload protection, Short-circuit protection, and No-load protection
- ◆ The Driver is included and it is IP65, and PF>0.9.
- ◆ Dimmable option available with different control options Long life 50000 Hours.
- ◆ Up to five years warranty.



200w  
30000LM

3000K  
6000K

120

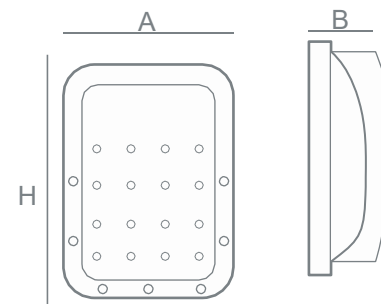
50 000  
Hours

CRI  
> 80

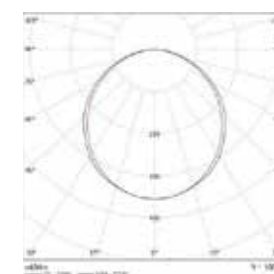
IP 65

RAL  
7045

Up to  
5 Year  
Guarantee



## BEAM ANGLE



## PRODUCT APPLICATION

Warehouse, Factories, Toll Stations, Gas Stations, SuperMarkets, Exhibition halls, Stadiums, Car Parks



## PRODUCT DIMENSION

Model	A mm	H mm	B mm
VEG-HBV2-200W-XX-SMD-T	305	370	140

Order Code	Color Temperature	LED Power
VEG-HBV2-200W-3000-SMD-T	3000K	200W
VEG-HBV2-200W-4000-SMD-T	4000K	200W
VEG-HBV2-200W-5700-SMD-T	5700K	200W