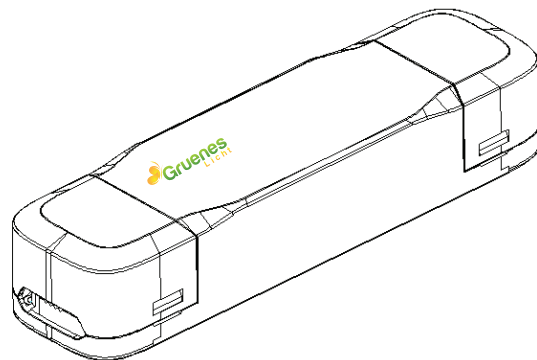


25W Constant Current Dimmable DALI2 Series

Constant Current DALI2-Smart series is constant current LED driver with 150 to 700 mA output current, and the output current is selectable by DIP switch. It is easy to integrate in LED panel, downlight product. It is supported with short circuit and overload protection.

Application

- ◆ LED strips
- ◆ LED panel
- ◆ Spot and down Light
- ◆ Down Light



Features

- ◆ Flicker free
- ◆ Class II, SELV, independent.
- ◆ Protections: SCP/OLP/OVP/OTP.
- ◆ Power Factor >0.95
- ◆ Efficiency ≥85%.
- ◆ Support DALI II, Push Dimming.
- ◆ 5 Year Warranty.
- ◆ DIP-Switch

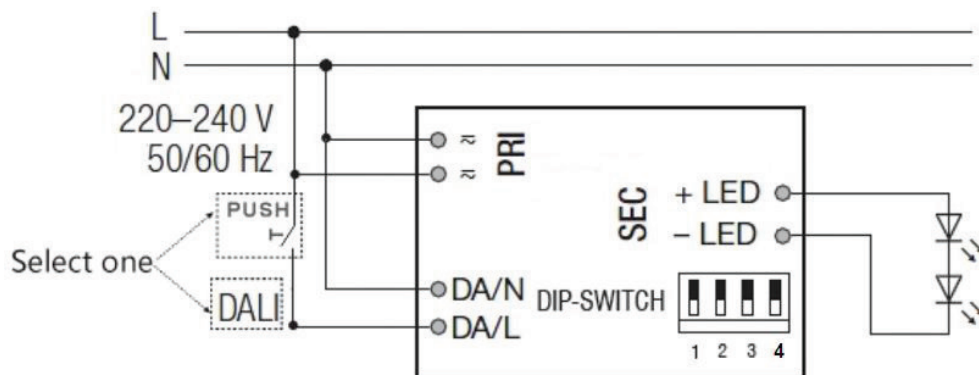
Technical data

Input	Ac input voltage	220-240VAC
	DC input voltage	176-280V
	Frequency(Hz)	60/50/0 Hz
	Power Factor	>0.95@ 220-240VAC, full load
	Input Current max	0.2A MAX. @Full Load,176VAC
	Start-up time	< 1S
	Unload Power Consumption	≤0.5W
Output	Inrush Current	30A Max.
	Constant Current	150/.../700mA
	No load voltage Max	60 VDC
	Output voltage range	9-52VDC
	Rated power	26.3W Max.
	Load Regulation	±5%@220-240VAC
	Hold-up Time	1s max.@Full Load
Dimming	Efficiency(Typ.)	≥%85
	Dimmable	YES
	Dimming mode	DALI II, Push
Protection	Dimming current range	Io ≥ 500mA : 1% -- %100 Io < 500mA : 5mA(min) -- %100
	Over Load Protection	103-120% Protection type: Latch off
	Over Voltage Protection	> 60VDC Protection type: Latch off
	Short circuit Protection	Protection type: Latch off
Environment	Over Temperature protection	Protection type:Auto Resume
	Operating Temperature	-20°C...+50°C
	tc	85 C
	Humidity	20%-%90RH
	Safety standards	EN 61347-1; EN61347-2-13; EN62384
	Withstand voltage	Input-Output : 3750V/5mA/1min
	EMI	EN55015; EN61000-3-2 Class C; EN61000-3-3
	EMS	EN 61547; EN 61000-4-2; EN 61000-4-5--1000V;
Note	Dimension(LXWXH)	160X42X30mm
	Ripple and noise are measured at 20MHZ of bandwidth by using a 300mm twisted pair-wire terminated All parameters NOT specially mentioned are measured at 240VAC input, full load and 25C of ambient temperature.	

Adjustable Output Current with dip-switch

Vo	Po	Io	4	3	2	1
9-52VDC	7.8W	150mA	--	ON	--	--
9-52VDC	10.4W	200mA	--	ON	--	ON
9-52VDC	13W	250mA	--	ON	ON	--
9-52VDC	15.6W	300mA	--	ON	ON	ON
9-52VDC	18.2W	350mA	ON	--	--	--
9-52VDC	20.8W	400mA	ON	--	--	ON
9-52VDC	23.4W	450mA	ON	--	ON	--
9-52VDC	26W	500mA	ON	--	ON	ON
9-47.5VDC	26.1W	550mA	ON	ON	--	--
9-43.5VDC	26.1W	600mA	ON	ON	--	ON
9-40VDC	26W	650mA	ON	ON	ON	--
9-37.5VDC	26.3W	700mA	ON	ON	ON	

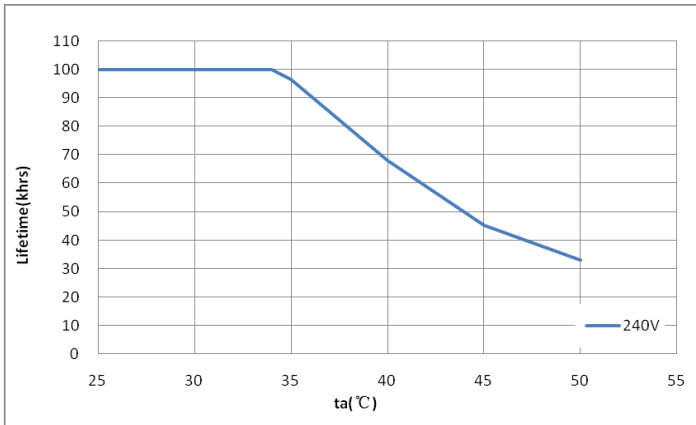
Wiring diagram



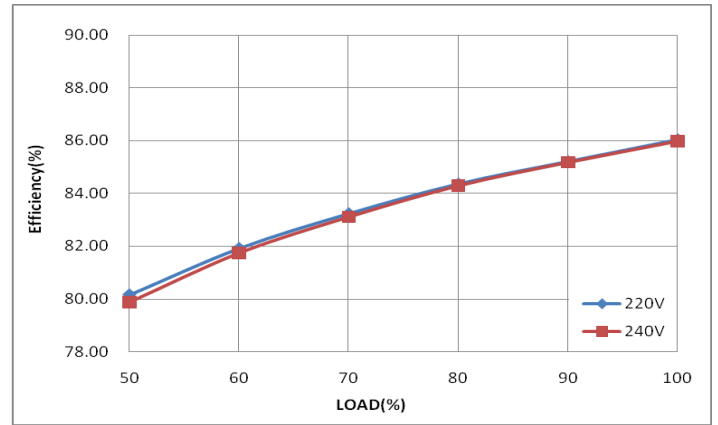
GLEC-DAL2-25-700 EDS

Function curve for GLEC-DAL2-25-700 EDS $I_o=700mA$

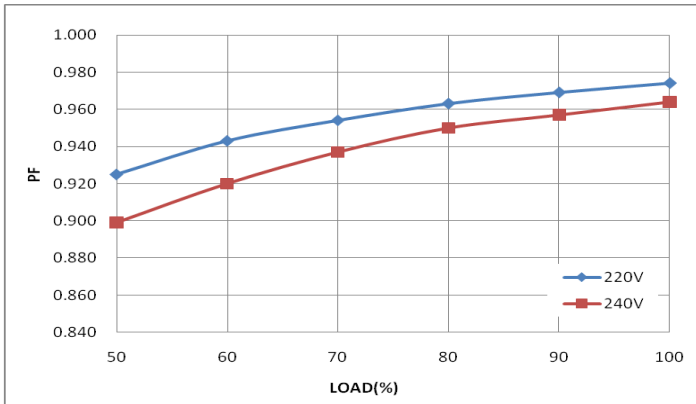
Lifetime vs. Ambient Temperature Curve



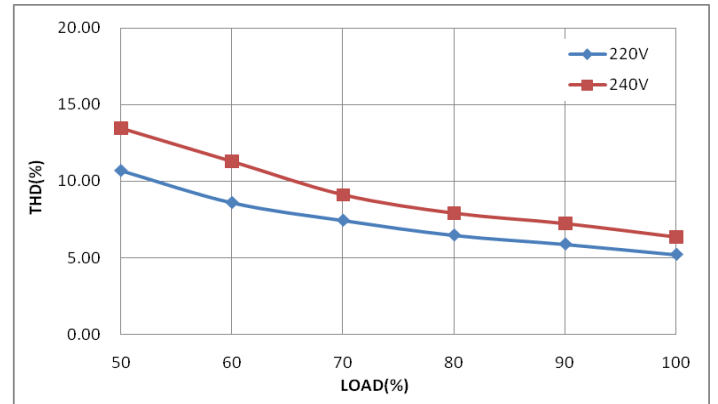
Efficiency vs Load



Power Factor Characteristics



THD vs. Load



Dimensions

