

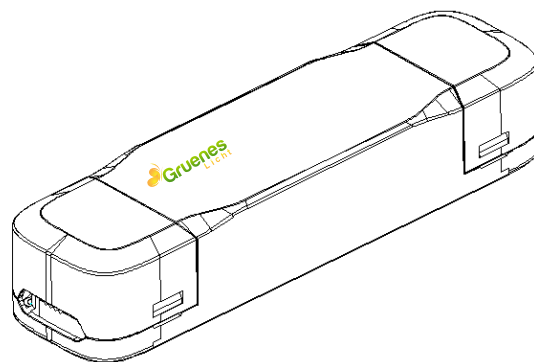
GLEC-DAL2-40-1050 EDS

44W Constant Current Dimmable DALI2 Series

Constant Current DALI2-Smart series is constant current LED driver with 700 to 1050 mA output current and a forward voltage range from 9 to 52 VDC. The output current is selectable by DIP switch, it is easy to integrated in LED panel, downlight product. It is supported with short circuit and overload protection.

Application

- ◆ LED strips
- ◆ LED panel
- ◆ Spot Light
- ◆ Down Light



Features

- ◆ Flicker free
- ◆ Class II, SELV, independent.
- ◆ Protections: SCP/OLP/OVP/OTP.
- ◆ Power Factor >0.95
- ◆ Efficiency ≥87%.
- ◆ Support DALI II, Push Dimming.
- ◆ 5 Year Warranty.
- ◆ Dip-Switch

GLEC-DAL2-40-1050 EDS

Technical data

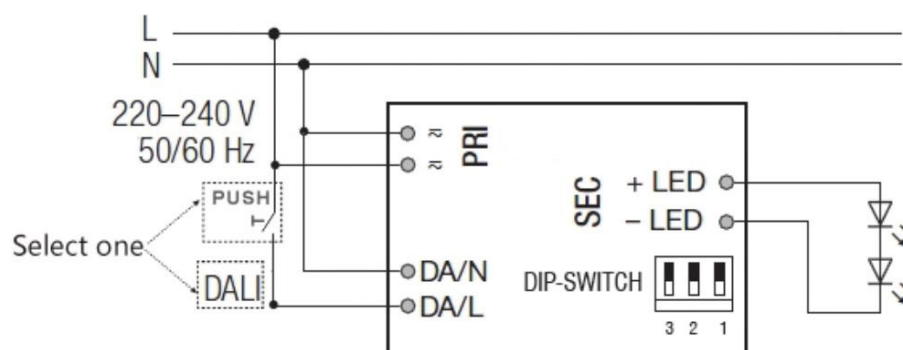
Input	Ac input voltage	220-240VAC
	DC input voltage	176-280V
	Frequency(Hz)	60/50/0 Hz
	Power Factor	> 0.95@220-240VAC, full load
	Input Current max	0.34A MAX. @Full Load,176VAC
	Start-up time	< 1S
	Unload Power Consumption	≤0.5W
	Inrush Current	30A Max.
Output	Constant Current	700/.../1050mA
	No load voltage Max	60 VDC
	Output voltage range	9-52VDC
	Rated power	44.1W Max.
	Load Regulation	±5% @220-240VAC, full load
	Hold-up Time	1s max.@Full Load
Dimming	Dimmable	YES
	Dimming mode	DALI II, Push
	Dimming current range	1%~100%
Protection	Over Load Protection	103-120% Protection type: Latch off
	Over Voltage Protection	> 60VDC Protection type: Latch off
	Short circuit Protection	Protection type: Latch off
	Over Temperature protection	Protection type: Auto Resume -20°C...+45°C
Environment	Operating Temperature	-20°C...+60°C
	tc	+ 75
	Storage Temperature	-25°C...+60°C
	Life time	> 44,000h@45°C
	Humidity	20%-90%RH
	EMI	EN55015; EN61000-2-13 Class C; EN61000-3-3
	EMS	EN 61547; EN 61000-4-2; EN 61000-4-5 —1000V;
	Dimension(LXWXH)	187X45X30.5mm
Note	Ripple and noise are measured at 20MHZ of bandwidth by using a 300mm twisted pair-wire terminated All parameters NOT specially mentioned are measured at 240VAC input, full load and 25C of ambient	

GLEC-DAL2-40-1050 EDS

Adjustable Output Current with dip-switch

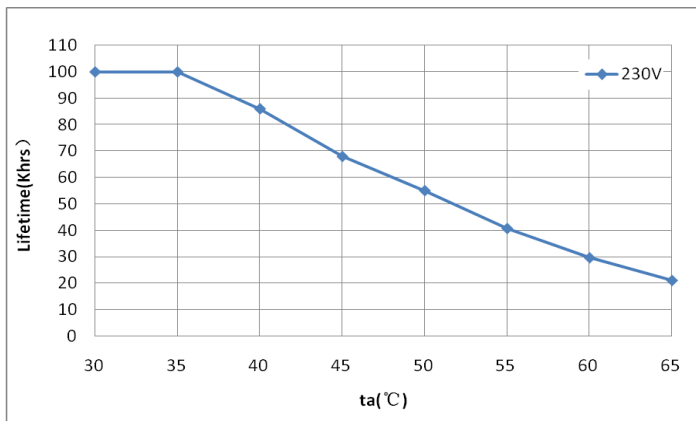
Vo	Po	Io	3	2	1
9-52VDC	36.4W	700mA	--	--	--
9-52VDC	39W	750mA	--	--	ON
9-52VDC	41.6W	800mA	--	ON	--
9-49VDC	41.7W	850mA	--	ON	ON
9-49VDC	44.1W	900mA	ON	--	--
9-46VDC	43.7W	950mA	ON	--	ON
9-44VDC	44W	1000mA	ON	ON	--
9-42VDC	44.1W	1050mA	ON	ON	ON

Wiring diagram

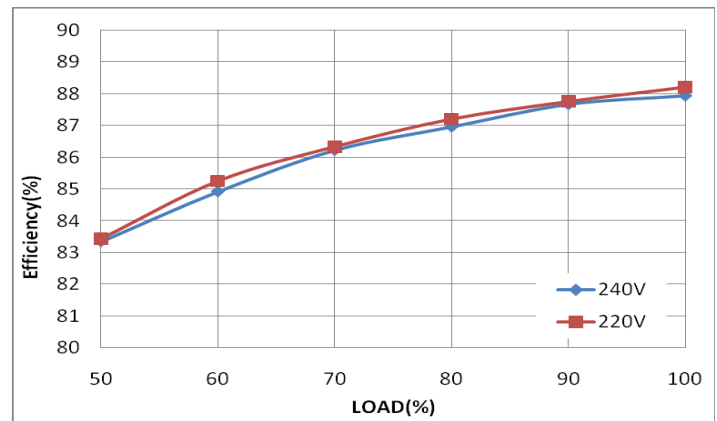


GLEC-DAL2-40-1050 EDS

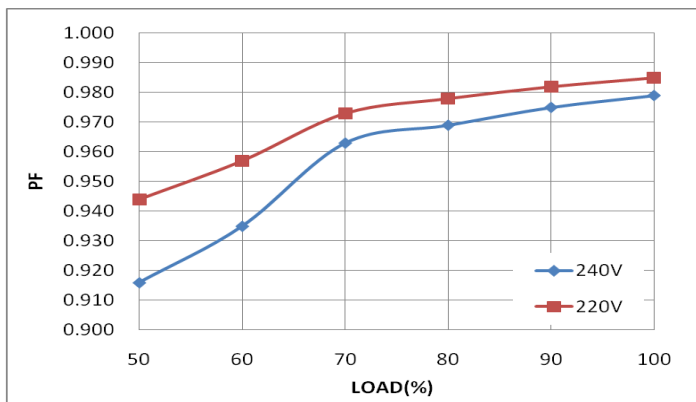
Lifetime vs. Ambient Temperature Curve



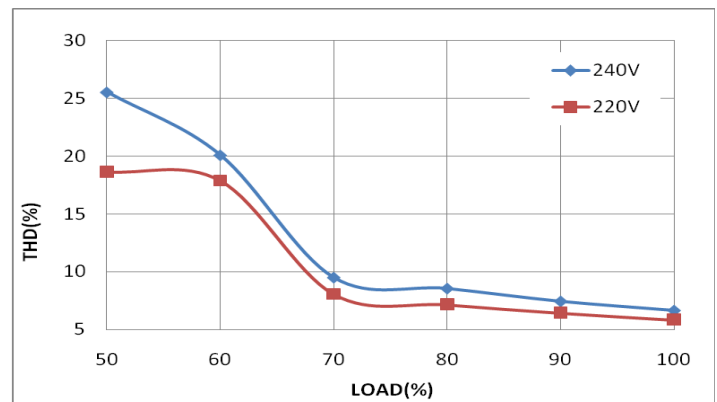
Efficiency vs. Load



Power Factor Characteristics



THD vs. Load



Dimensions

