

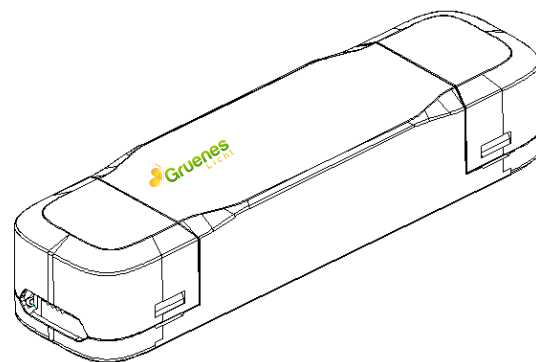
GLEC-DAL2-60-1400 EDS

60W Constant Current Dimmable DALI2 Series

Constant Current DALI2-Smart series is constant current LED driver with 650 to 1400 mA output current and the forward voltage from 9 to 48 Vdc. The output current is selectable by DIP switch, it is easy to integrated in LED panel, downlight product. It is supported with short circuit and overload protection.

Application

- ◆ LED strips
- ◆ LED panel
- ◆ Spot
- ◆ Down Light



Features

- ◆ Flicker free
- ◆ Class II, SELV, independent.
- ◆ Protections: SCP/OLP/OVP/OTP.
- ◆ Power Factor >0.95
- ◆ Efficiency ≥86%.
- ◆ Support DALI II, Push Dimming.
- ◆ 5 Year Warranty.
- ◆ Dip - Switch

GLEC-DAL2-60-1400 EDS

Technical data

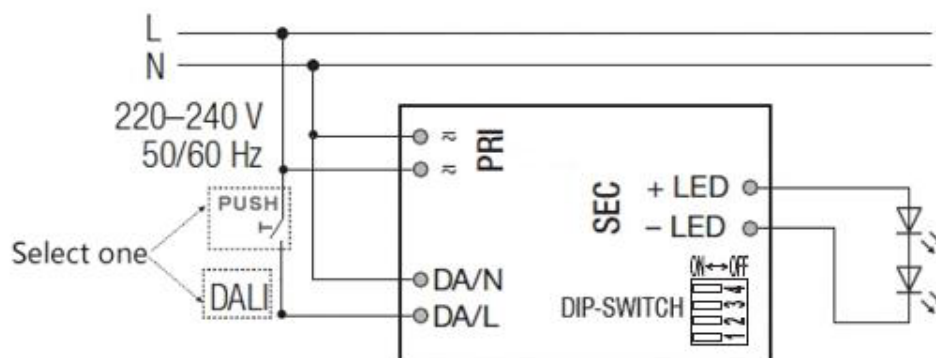
Input	Ac input voltage	220-240VAC
	DC input voltage	198-280V
	Frequency(Hz)	60/50/0 Hz
	Power Factor	> 240-220@0.95VAC, full load
	Input Current max	0.46A MAX. @Full Load,198VAC
	Start-up time	< 1S
	Unload Power Consumption	≤0.5W
	Inrush Current	30A Max.
Output	Constant Current	650/.../1400mA
	No load voltage Max	60 VDC
	Output voltage range	9-48VDC
	Rated power	60.2W Max.
	Load Regulation	±5%@220-240VAC
	Hold-up Time	1s max.@Full Load
	Efficiency(Typ.)	≥86%
Dimming	Dimmable	YES
	Dimming mode	DALI II, Push
	Dimming current range	$I_o \geq 100mA : 1\%--100\%$ $I_o < 1A: 10mA(\text{min})--100\%$
Protection	Over Load Protection	103-120% Protection type: Latch off
	Over Voltage Protection	< 60VDC Protection type: Latch off
	Short circuit Protection	Protection type: Latch off
	Over Temperature protection	Protection type: Auto resume
Environment	Operating Temperature	-20C ... 45°C
	tc	90°C
	Humidity	20%-90%RH
	Safety standards	EN 61347-1; EN161347-2-13; EN62384
	Withstand voltage	Input-Output : 3750V/5mA/1min
	EMI	EN55015; EN61000-3-2 Class C; EN61000-3-3
	EMS	EN 61547; EN 61000-4-2; EN 61000-4-5 —1000V;
	Dimension(LXWXH)	187X45X30.5(LXWXH)mm
Note	Ripple and noise are measured at 20MHZ of bandwidth by using a 300mm twisted pair-wire terminated	
	All parameters NOT specially mentioned are measured at 240VAC input, full load and 25C of ambient temperature.	

GLEC-DAL2-60-1400 EDS

Adjustable Output Current with dip-switch

Vo	Po	Io	1	2	3	4
9-48VDC	31.2 W	650mA	--	--	--	--
9-48VDC	33.6 W	700mA	ON	--	--	--
9-48VDC	36W	750 mA	--	ON	--	--
9-48VDC	38.4W	800mA	ON	ON	--	--
9-48VDC	40.8W	850mA	--	--	ON	--
9-48VDC	43.2W	900mA	ON	--	ON	--
9-48VDC	45.6W	950mA	--	ON	ON	--
9-48VDC	48W	1000mA	ON	ON	ON	--
9-48VDC	50.4W	1050mA	--	--	--	ON
9-48VDC	52.8W	1100mA	ON	--	--	ON
9-48VDC	55.2W	1150mA	--	ON	--	ON
9-48VDC	57.6W	1200 mA	ON	ON	--	ON
9-48VDC	60W	1250 mA	--	--	ON	ON
9-46VDC	59.8W	1300mA	ON	--	ON	ON
9-44VDC	59.4W	1350mA	--	ON	ON	ON
9-43VDC	60.2W	1400mA	ON	ON	ON	ON

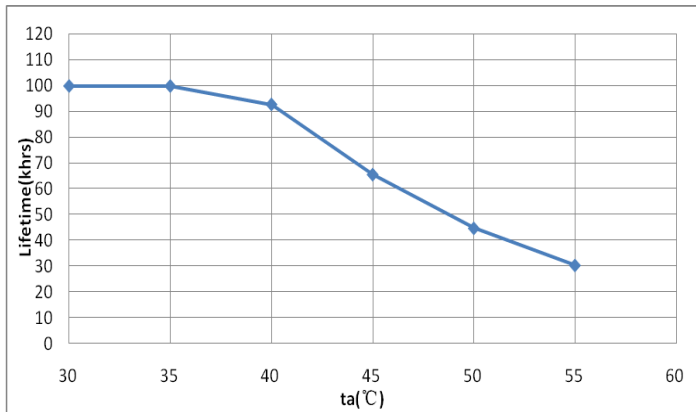
Wiring diagram



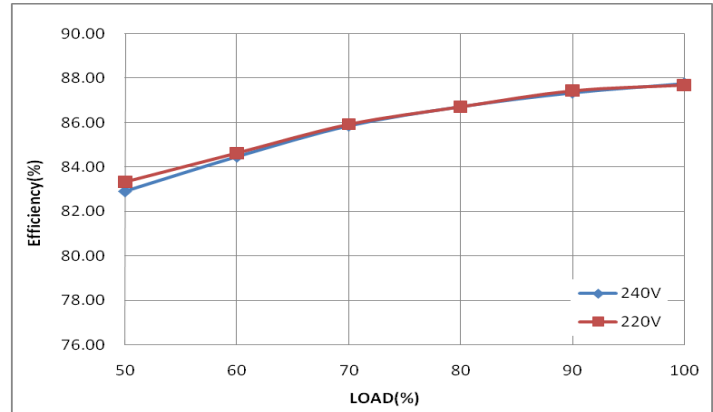
GLEC-DAL2-60-1400 EDS

Function curve for GLEC-DAL2-60-1400 EDS, $I_o=1400\text{mA}$

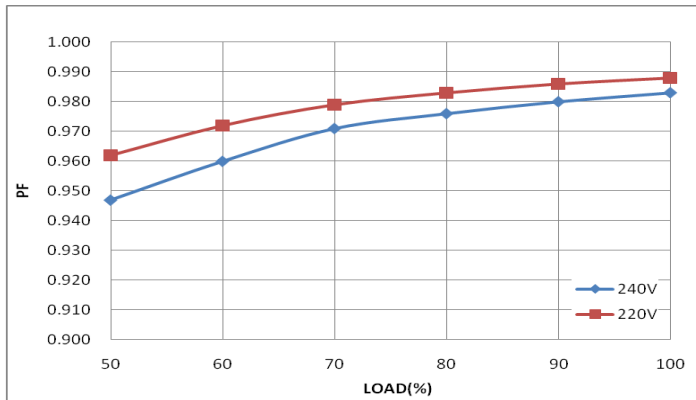
Lifetime vs. Ambient Temperature Curve



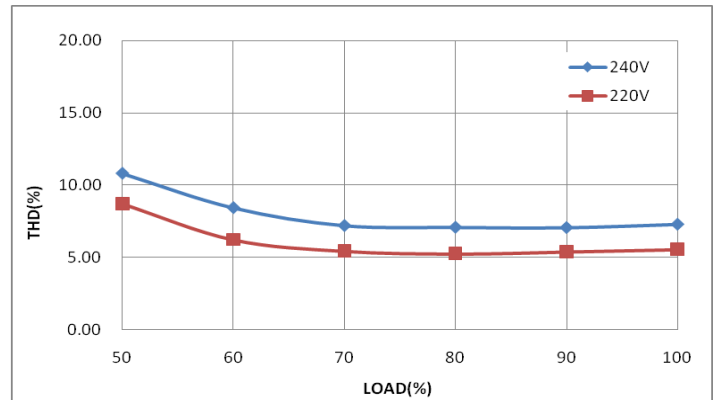
Efficiency vs Load



Power Factor Characteristics



THD vs. Load



Dimensions

