

GLEC-S-12-XXX F

12W Constant Current Standard Series

Constant current LED driver that operates from 176-264Vac input with 200 to 700mA output current. With it's compact dimensions from 92 x 36 x 24.5mm it is easy to integrate in LED Panel and down light products. To ensure trouble-free operation, protection is provided against output short circuit and over Load.

Application

- ◆ LED panel
- ◆ LED spot light
- ◆ LED down light
- ◆ COB light



Features

- ◆ FLicker
- ◆ Class II, SELV, independent
- ◆ Protections: SCP/OLP/OVP/OTP.
- ◆ Power Factor >0.9C
- ◆ Efficiency ≥82%.
- ◆ 5 Year Warranty.

Technical data

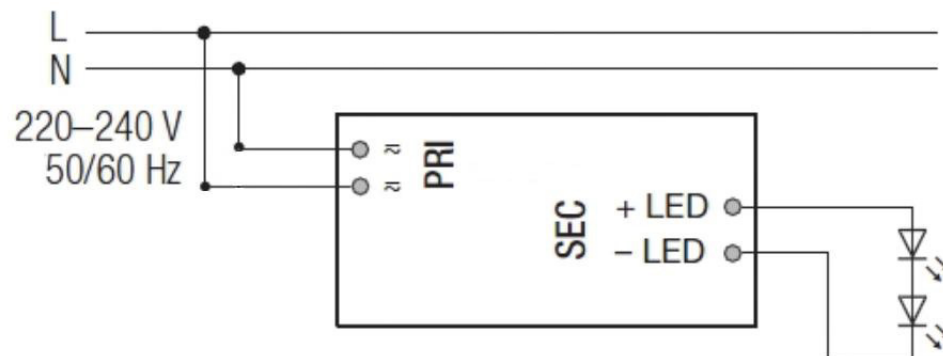
Input	Rated input voltage	220-240VAC				
	DC voltage range	176-280V				
	Frequency(Hz)	0/50/60 Hz				
	Power Factor	0.9C@Full Load,240VAC				
	Input Current max	0.09A MAX. @Full Load,176VAC				
	Start-up time	< 0.5S				
	Unload Power Consumption	≤0.5W				
	Inrush Current	15A Max.				
Output	Constant Current Max. *Note.3	200mA	350mA	500mA	...	700mA
	No load voltage Max.	70VDC	45VDC	34VDC	...	25VDC
	Out put Voltage Range	36-60VDC	18-35VDC	14.5-24VDC	...	10.5-17.5VD
	Rated power	12W Max.	12.3W Max.	12W Max.	...	12.3W Max.
	Load Regulation	±5%@220-240VAC				
	Hold-up Time	1s max.@Full Load				
	Efficiency(Typ.)	≥82%				
Protection	Over Load Protection	103-120%				
		Protection type: Auto Resume				
	Over Voltage Protection	> 70VDC	> 45VDC	> 34VDC	...	> 25VDC
		Protection type: Auto Resume				
	Short circuit Protection	Protection type: Auto Resume				
Environment	Operating Temperature	-20°C...+45°C				
	tc	75°C				
	Storage Temperature	-25°C...+60°C				
	Life time	> 50,000h@45°C				
	Humidity	20%-90%RH				
Safety & EMC	Safety standards	EN 61347-1; EN61347-2-13;				
	Withstand voltage	Input-Output : 3750V/5mA/1min				
	Isolation resistance	Input-Output : ≥4MΩ@500VDC				
	EMI	EN55015; EN61000-3-2 Class C; EN61000-3-3				
	EMS	EN 61547; EN 61000-4-2; EN 61000-4-5 —1000V;				
	Dimension	92X36X24.5(LXWXH)mm				
Note	Ripple and noise are measured at 20MHZ of bandwidth by using a 300mm twisted pair-wire terminated					
	All parameters NOT specially mentioned are measured at 240VAC input, full load and 25C of ambient					

GLEC-S-12-XXX F

Model List

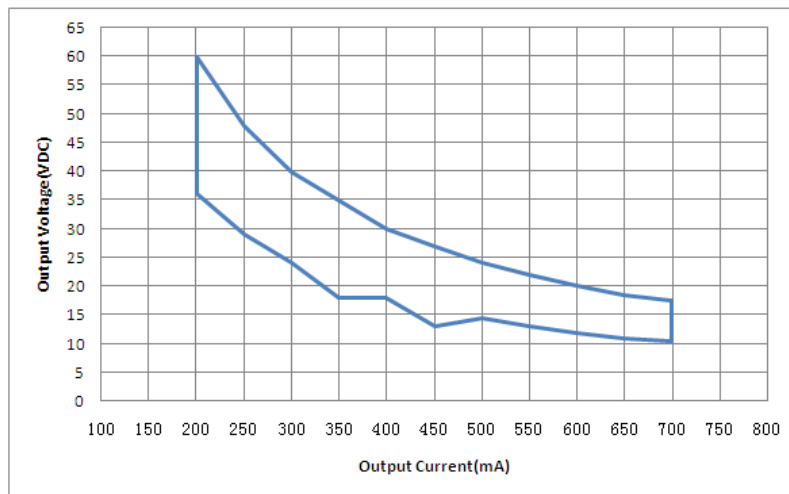
No.	Model number	Input			Output			
		Voltage (VAC)	Max.Current (A)	Frequency (Hz)	Constant current (mA)	Normal working voltage (VDC)	No load working voltage (VDC)	Max.Prated(W)
1	GLEC-S-12-200 F	220-240	0.09	50/60	200	36-60	70	12
2	GLEC-S-12-250 F	220-240	0.09	50/60	250	29-48	58	12
3	GLEC-S-12-300 F	220-240	0.09	50/60	300	24-40	50	12
4	GLEC-S-12-350 F	220-240	0.09	50/60	350	18-35	45	12.3
5	GLEC-S-12-400 F	220-240	0.09	50/60	400	18-30	40	12
6	GLEC-S-12-450 F	220-240	0.09	50/60	450	13-27	37	12.2
7	GLEC-S-12-500 F	220-240	0.09	50/60	500	14.5-24	34	12
8	GLEC-S-12-550 F	220-240	0.09	50/60	550	13-22	30	12.1
9	GLEC-S-12-600 F	220-240	0.09	50/60	600	12-20	28	12
10	GLEC-S-12-650 F	220-240	0.09	50/60	650	11-18.5	26	12
11	GLEC-S-12-700 F	220-240	0.09	50/60	700	10.5-17.5	25	12.3

Wiring diagram



GLEC-S-12-XXX F

Operating window



— Operating window 100%

Dimensions

