

GLEC-S-20-XXX F

20W Constant Current Standard Series

Constant current LED driver that operates from 176-264Vac input with 300 to 700mA output current. With it's compact dimensions from 100 x 38 x 25mm it is easy to integrate in LED Panel and down light products. To ensure trouble-free operation, protection is provided against output short circuit and over Load.

Application

- ◆ LED panel
- ◆ LED spot light
- ◆ LED down light
- ◆ COB light



Features

- ◆ Flicker
- ◆ Class II, SELV, independent
- ◆ Protections: SCP/OLP/OVP/OTP.
- ◆ Power Factor >0.9C
- ◆ Efficiency ≥86%.
- ◆ 5 Year Warranty.

Technical data

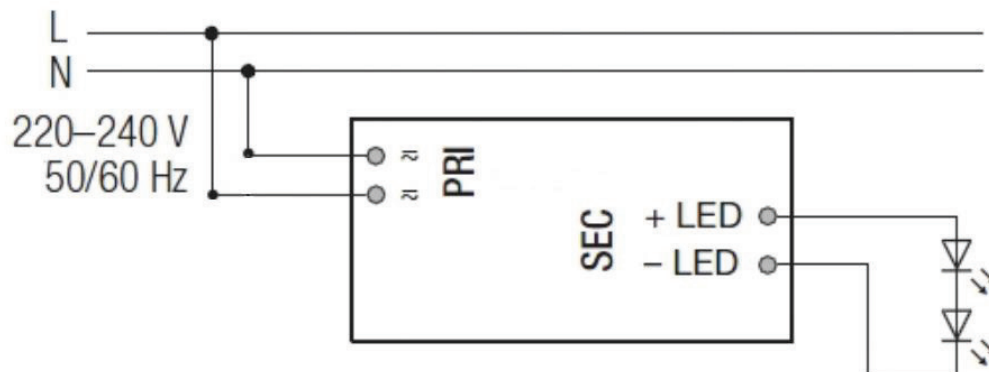
Input	Rated input voltage	220-240VAC				
	DC voltage range	176-264VAC				
	Frequency(Hz)	0/50/60 Hz				
	Power Factor	0.9C@ Full Load, 240V AC				
	Input Current max	0.16A MAX.				
	Start-up time	@Full ,Load, 176V AC < 0.5S				
	Unload Power Consumption	≤0.5W				
	Inrush Current	20A Max.				
Output	Constant Current Max. *Note.3	300mA	350mA	500mA	...	700mA
	No load voltage Max.	80VDC	72VDC	50VDC	...	40VDC
	Output Voltage Range	42-70VDC	36-60VDC	25-42VDC	...	18-30VDC
	Rated power	21W Max.	21W Max.	21W Max.	...	21W Max.
	Load Regulation	±5%@220-240VAC				
	Hold-up Time	1s max.@Full Load				
	Efficiency(Typ.)	≥86%				
Protection	Over Load Protection	103-120% Protection type: Auto Resume				
	Over Voltage Protection	> 80VDC	> 72VDC	> 50VDC	...	> 40VDC
		Protection type: Auto Resume				
	Short circuit Protection	Protection type: Auto Resume				
Over Temperature protection	NA					
Environment	Operating Temperature	-20°C...+45°C				
	tc	80°C				
	Storage Temperature	-25°C...+60°C				
	Life time	> 30,000h@45°C				
	Humidity	20%-90%RH				
Safety & EMC	Safety standards	EN 61347-1; EN61347-2-13; EN62384				
	Withstand voltage	Input-Output : 3750V/5mA/1min				
	EMI	EN55015; EN61000-3-2 Class C; EN61000-3-3				
	EMS	EN 61547; EN 61000-4-2; EN 61000-4-5 — 1000V;				
	Dimension	100X38X25(LXWXH)mm				
Note	Ripple and noise are measured at 20MHZ of bandwidth by using a 300mm twisted pair-wire terminated					
	All parameters NOT specially mentioned are measured at 240VAC input, full load and 25C of ambient					

GLEC-S-20-XXX F

Model List

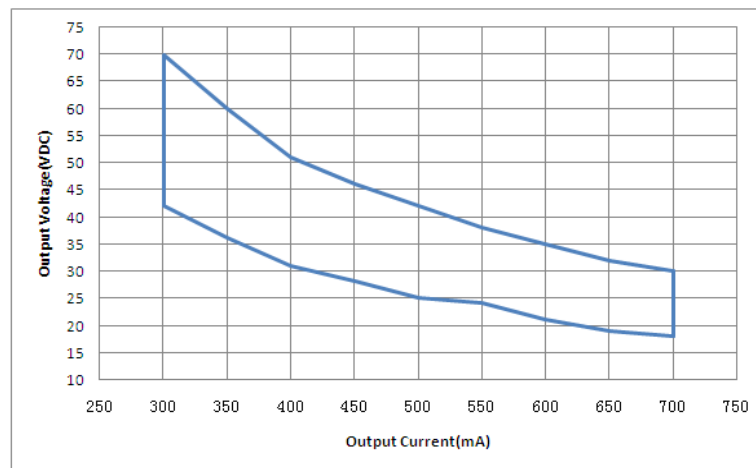
NO.	Model number	Input			Output			Max. Prated(W) Max. Prated(W)
		Voltage (VAC)	Current (A)	Frequency (Hz)	Constant current (mA)	No mal working voltage (VDC)	No load working voltage (VDC)	
1	GLEC-S-20-300 F	220-240	0.16	50/60	300	42-70	80	21
2	GLEC-S-20-350 F	220-240	0.16	50/60	350	36-60	72	21
3	GLEC-S-20-400 F	220-240	0.16	50/60	400	31-51	61	20.4
4	GLEC-S-20-450 F	220-240	0.16	50/60	450	28-46	56	20.7
5	GLEC-S-20-500 F	220-240	0.16	50/60	500	25-42	50	21
6	GLEC-S-20-550 F	220-240	0.16	50/60	550	24-38	50	20.9
7	GLEC-S-20-600 F	220-240	0.16	50/60	600	21-35	45	21
8	GLEC-S-20-650 F	220-240	0.16	50/60	650	19-32	42	20.8
9	GLEC-S-20-700 F	220-240	0.16	50/60	700	18-30	40	21

Wiring diagram



GLEC-S-20-XXX F

Operating window



— Operating window 100%

Dimensions

