

21W Constant Current Standard Series

Constant current LED driver that operates from 176-264Vac input with 300 to 700mA output current. With it's compact dimensions from 92 x 36 x 24.5mm it is easy to integrate in LED Panel and down light products. To ensure trouble-free operation, protection is provided against output short circuit and over Load.

Application

- ◆ LED panel
- ◆ LED spot light
- ◆ LED down light



Features

- ◆ Flicker free
- ◆ Class II, SELV, independent
- ◆ Protections: SCP/OLP/OVP
- ◆ Power Factor >0.6C
- ◆ Efficiency ≥85%.
- ◆ 5 Year Warranty.

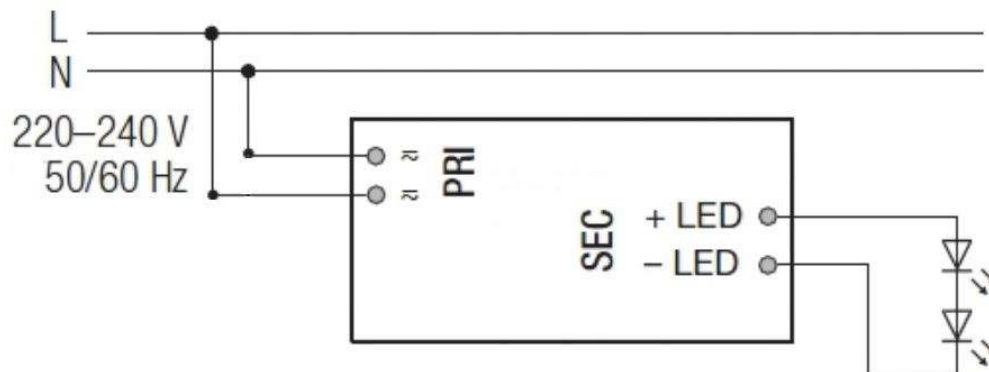
Technical data

	Rated input voltage	220-240VAC				
Input	Range of input voltage	176-264VAC				
	DC voltage range	176-280V				
	Frequency(Hz)	0/50/60 Hz				
	Power Factor	0.6C@Full Load,240VAC				
	Input Current max	0.3A MAX. @Full Load,176VAC				
	Start-up time	< 0.5S				
	Unload Power Consumption	≤0.5W				
	Inrush Current	30A Max.				
	Output	Constant Current Max.	300mA	400mA	500mA	...
No load voltage Max.		80VDC	60VDC	50VDC	...	40VDC
Output Voltage Range		42-70VDC	30-50VDC	25-42VDC	...	18-30VDC
Rated power		21W Max.	20W Max.	21W Max.	...	21W Max.
Load Regulation		±5%@220-240VAC				
Hold-up Time		1s max.@Full Load				
Efficiency(Typ.)		≥85%				
Protection	Over Load Protection	103-120%				
		Protection type: Auto Resume				
	Over Voltage Protection	> 60VDC	> 60VDC	> 50VDC	...	> 40VDC
		Protection type: Auto Resume				
	Short circuit Protection	Protection type: Auto Resume				
Environment	Operating Temperature	-20°C...+45°C				
	tc	80°C				
	Life time	> 50,000h@45°C				
	Humidity	20%-90%RH				
Safety&EMC	Safety standards	EN 61347-1; EN61347-2-13; EN62384				
	Withstand voltage	Input-Output : 3750V/5mA/1min				
	EMI	EN55015; EN61000-3-2 Class A; EN61000-3-3				
	EMS	EN 61547; EN 61000-4-2; EN 61000-4-5 — 1000V;				
	Dimension	100X38X25(LXWXH)mm				
Note	Ripple and noise are measured at 20MHZ of bandwidth by using a 300mm twisted pair-wire terminated					
	All parameters NOT specially mentioned are measured at 240VAC input, full load and 25C of ambient					

Adjustable Output Current with dip-switch

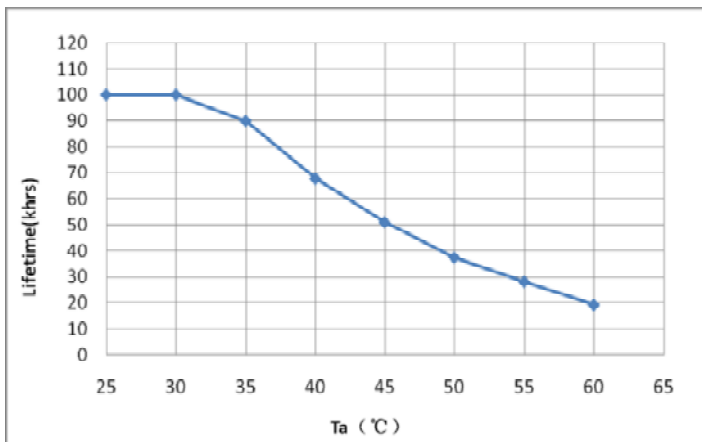
NO.	Model number	Input			Output			Max. Prated(W)
		Voltage (VAC)	Current (A)	Frequency (Hz)	Constant current (mA)	Normal working voltage (VDC)	No load working voltage (VDC)	
1	GLEC-S-21-300 E	220-240	0.3	50/60	300	42-70	80	21
2	GLEC-S-21-350 E	220-240	0.3	50/60	350	36-60	70	21
3	GLEC-S-21-400 E	220-240	0.3	50/60	400	30-50	60	20
4	GLEC-S-21-450 E	220-240	0.3	50/60	450	28-46.5	57	21
5	GLEC-S-21-500 E	220-240	0.3	50/60	500	25-42	50	21
6	GLEC-S-21-550 E	220-240	0.3	50/60	550	23-38	50	21
7	GLEC-S-21-600 E	220-240	0.3	50/60	600	21-35	45	21
8	GLEC-S-21-650 E	220-240	0.3	50/60	650	19.5-32	42	21
9	GLEC-S-21-700 E	220-240	0.3	50/60	700	18-30	40	21

Wiring diagram

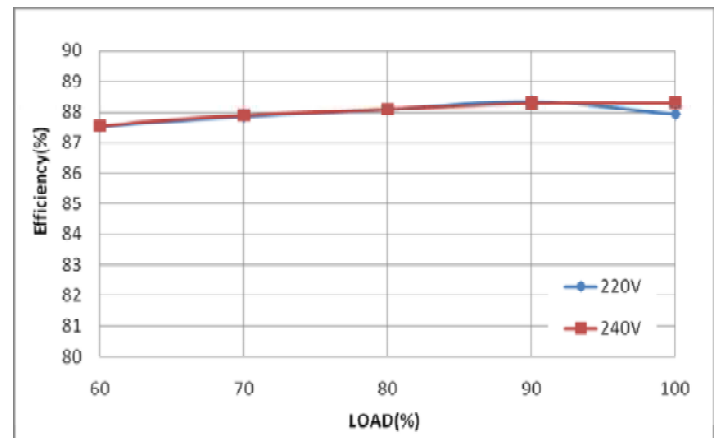


GLEC-S-21-XXX E

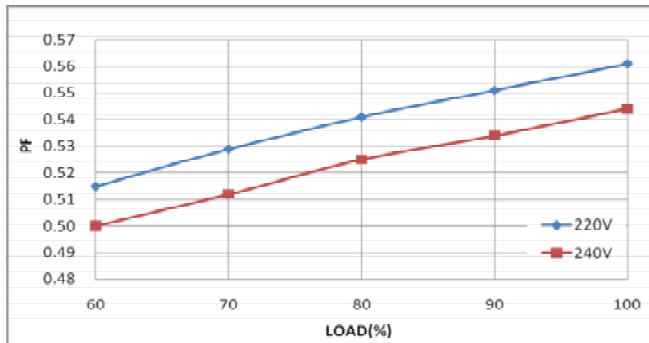
Lifetime vs. Ambient Temperature Curve



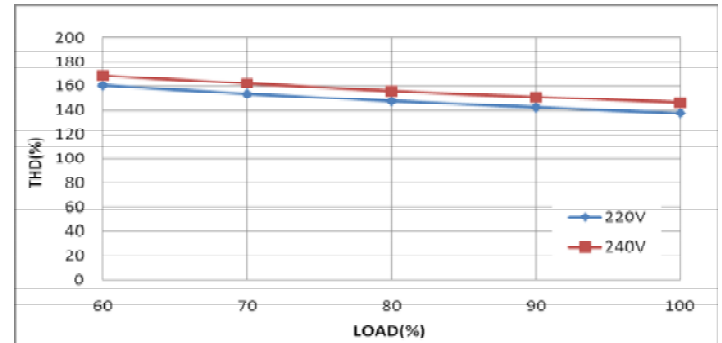
Efficiency vs Load



Power Factor Characteristics



THD vs. Load



Dimensions

