

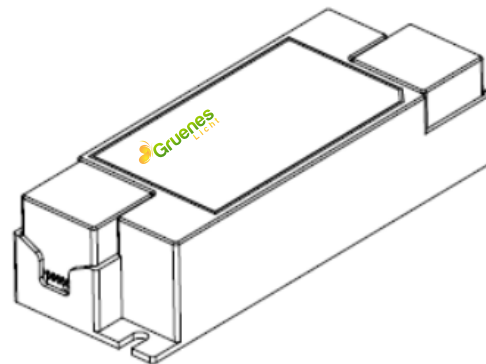
GLEC-SMA-TRI-15-XXX E

15W Constant Current TRIAC Smart Series

Constant current LED driver that operates from 198-264Vac input with 300-700mA output current. With it's compact dimensions from 116 x 42.5 x 28mm it is easy to integrate in LED panel, pendant light and down light products. To ensure trouble-free operation, protection is provided against output short circuit and over Load. .

Application

- ◆ LED panel
- ◆ LED pendant Lights
- ◆ Down Light



Features

- ◆ Triac dimmable driver
- ◆ Flicker free
- ◆ Class II, SELV, independent.
- ◆ Protections: SCP/OLP/OVP
- ◆ Power Factor >0.95
- ◆ Efficiency ≥82%.
- ◆ Support Leading edge & trailing edge dimmable
- ◆ 5 Year Warranty.

GLEC-SMA-TRI-15-XXX E

Technical data

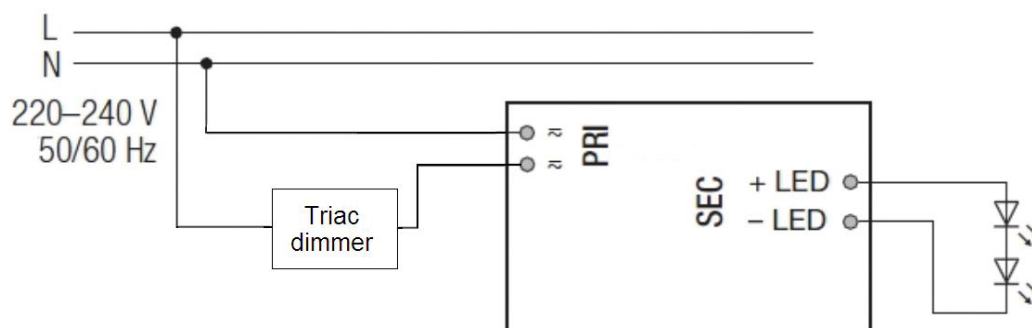
Input	Rated input voltage	220-240Vac			
	Range of input voltage	198-264Vac			
	Frequency(Hz)	50/60 Hz			
	Power Factor	>0.95@230Vac, full load			
	Input Current max	0.13A MAX. @Full Load,198Vac			
	Start-up time	<0.5S			
	Unload Power Consumption	≤1W			
	Inrush Current	10A Max. /60μs @230V, Full Load, 50%Ipk-50%Ipk			
Output	Constant Current Max.	300mA	350mA	...	700mA
	No load voltage Max	59V	53V	...	30V
	Output Voltage Range	35-50V	27-42V	...	14-22V
	Rated power	15W Max.	14.7W Max.	...	15.4W Max.
	Load Regulation	±5%@220-240Vac			
	Hold-up Time	1s max.@Full Load			
	Efficiency(Typ.)	≥82%@Full Load,230VAC			
Dimming	Dimming mode	Triac, Leading edge & trailing edge dimmable			
	Dimming current range	10% ~ 100%			
Protection	Over Load Protection	103-120%			
		Protection type: Auto Resume			
	Over Voltage Protection	>59VDC	>53VDC	...	>30VDC
	Protection type: Auto Resume				
	Short circuit Protection	Protection type: Auto Resume			
Environment	Operating Temperature	-20°C...+50°C			
	tc	80°C			
	Storage Temperature	-20°C...+60°C			
	Life time	>30,000h@ta=50°C			
	Humidity	20%-90%RH			
Safety & EMC	Safety standards	EN 61347-1; EN61347-2-13; EN62384			
	Withstand voltage	Input-output : 3750V/5mA/1min			
	EMI	EN55015; EN61000-3-2 Class C; EN61000-3-3			
	EMS	EN 61547; EN 61000-4-2; EN 61000-4-5 —L-N: 1KV			
	Dimension	116X42.5X28 (LXWXH)mm			
Note	Ripple and noise are measured at 20MHZ of bandwidth by using a 300mm twisted pair-wire terminated All parameters NOT specially mentioned are measured at 240VAC input, full load and 25C of ambient				

GLEC-SMA-TRI-15-XXX E

Model List

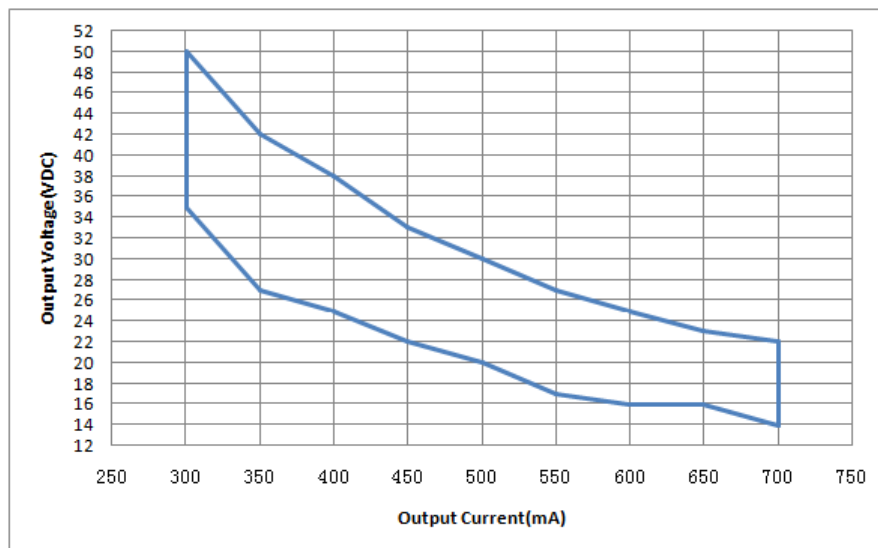
No	Model number	Input			Output			Max. Prated(W)
		Voltage (VAC)	Max.Current (A)	Frequency (Hz)	Constant current (mA)	Normal working voltage (VDC)	No load working voltage (VDC)	
1	GLEC-SMA-TRI-15-300 E	220-240	0.13	50/60	300	35-50	59	15
2	GLEC-SMA-TRI-15-350 E	220-240	0.13	50/60	350	27-42	53	14.7
3	GLEC-SMA-TRI-15-400 E	220-240	0.13	50/60	400	25-38	48	15.2
4	GLEC-SMA-TRI-15-450 E	220-240	0.13	50/60	450	22-33	43	14.9
5	GLEC-SMA-TRI-15-500 E	220-240	0.13	50/60	500	20-30	39	15
6	GLEC-SMA-TRI-15-550 E	220-240	0.13	50/60	550	17-27	35	14.9
7	GLEC-SMA-TRI-15-600 E	220-240	0.13	50/60	600	16-25	33	15
8	GLEC-SMA-TRI-15-650 E	220-240	0.13	50/60	650	16-23	31	15
9	GLEC-SMA-TRI-15-700 E	220-240	0.13	50/60	700	14-22	30	15.4

Wiring diagram



GLEC-SMA-TRI-15-XXX E

Operating window



— Operating window 100%

Dimensions

