

GLEV-DAL2-80W-24 E

80W Constant Voltage Dimmable DALI2 Series

Constant Voltage LED driver that operates from 176-264Vac input with 24V output voltage. With it's compact dimensions from 290 x 45 x 30.5 mm it is easy to integrate in linear light and troffer light products. To ensure trouble-free operation, protection is provided against output short circuit and over Load.

Application

- ◆ LED strip
- ◆ Linear light
- ◆ Troffer light



Features

- ◆ Flicker free
- ◆ Class II, SELV, independent
- ◆ Protections: SCP/OLP/OVP
- ◆ Power Factor >0.95
- ◆ Efficiency ≥87%.
- ◆ Support DALI II, Push Dimming
- ◆ 5 Year Warranty.

GLEV-DAL2-80W-24 E

Technical data

Input	Rated input Voltage	220-240VAC
	Range of input voltage	176-264VAC
	DC voltage range	176-280V
	Frequency(Hz)	0/50/60 Hz
	Power Factor	> 0.95@220-240VAC, full load
	Input Current max	0.62A MAX. @Full Load,176VAC
	Start-up time	<1S
	Unload Power Consumption	≤0.5W
Output	Inrush Current	50A Max.
	Constant Voltage	24VDC
	Output voltage Range	0-3.33A
	Rated power	80W Max.
	Load Regulation	≤2%
	Hold-up Time	1s max.@Full Load
Dimming	Efficiency(Typ.)	≥87%
	Dimmable	YES
	Dimming mode	DALI II, Push
Protection	Dimming current range	1%~100%
	Over Load Protection	105-150% Protection type: Auto Resume
	Over Voltage Protection	> 25.2VDC Protection type: Auto Resume
	Short circuit Protection	Protection type : Latch off , Auto recovery after power on
Environment	Over Temperature protection	Protection type: Auto Resume
	Operating Temperature	-20°C...+45°C
	tc	85°C
	Storage Temperature	-30°C...+65°C
Safety & EMC	Humidity	20%-95%RH
	Safety standards	EN 61347-1; EN61347-2-13; EN62384;
	Withstand voltage	Input-Output : 3750V/5mA/1min
	EMI	EN55015; EN61000-3-2 Class C; EN61000-3-3
Note	EMS	EN 61547; EN 61000-4-2; EN 61000-4-5 —1000V;
	Dimension	290X45X30.5 (LXWXH)mm
Ripple and noise are measured at 20MHZ of bandwidth by using a 300mm twisted pair-wire terminated All parameters NOT specially mentioned are measured at 240VAC input, full load and 25C of ambient		

GLEV-DAL2-80W-24 E

Model List

No.	Model number	Input			Output		
		Voltage (VAC)	Max.Current (A)	Frequency (Hz)	Constant voltage (V)	Normal working current (VDC)	Max Power (W)
1	GLEV-DAL2-80W-24 E	220-240	0.62	50/60	24	0-3.33	80

Maximum loading of automatic circuit breakers in relation to inrush current

Automatic circuit breaker type	C10	C13	C16	C20	B10	B13	B16	B20
Installation \emptyset	1.5mm	1.5mm	1.5mm	1.5mm	1.5mm	1.5mm	1.5mm	1.5mm
GLEV-DAL2-80W-24 E	10	12	15	18	8	10	12	14

These are max values calculated out of inrush current! Please consider not to exceed the maximum rated continuous current of the circuit breaker.

Actual values may differ due to used circuit breaker types and installation environment.

Wiring

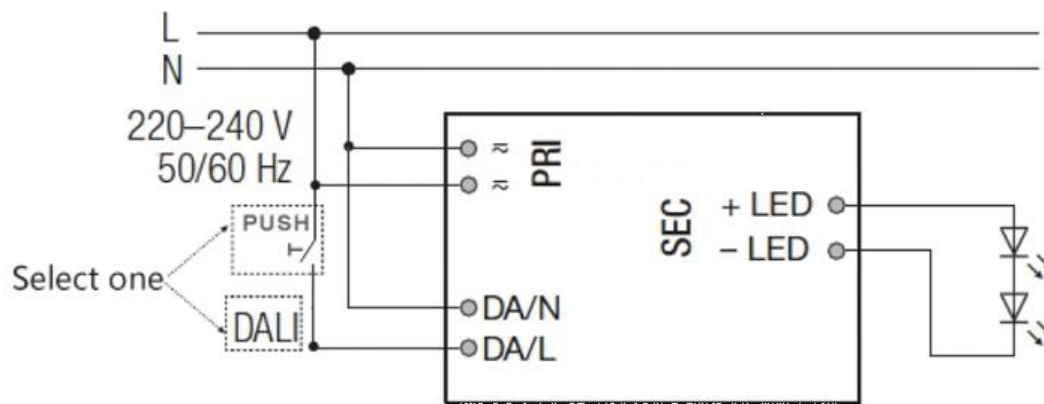
LED wire length Gruenes internally verified the wire length from LED driver to LED module at full load is up to 18 meter Chose a proper wire thickness to reduce the voltage drop effect .

Wire cross section	mm ²	1.0mm ²	105mm ²
	AWG	17	15
Maximum cable length		10m	18m

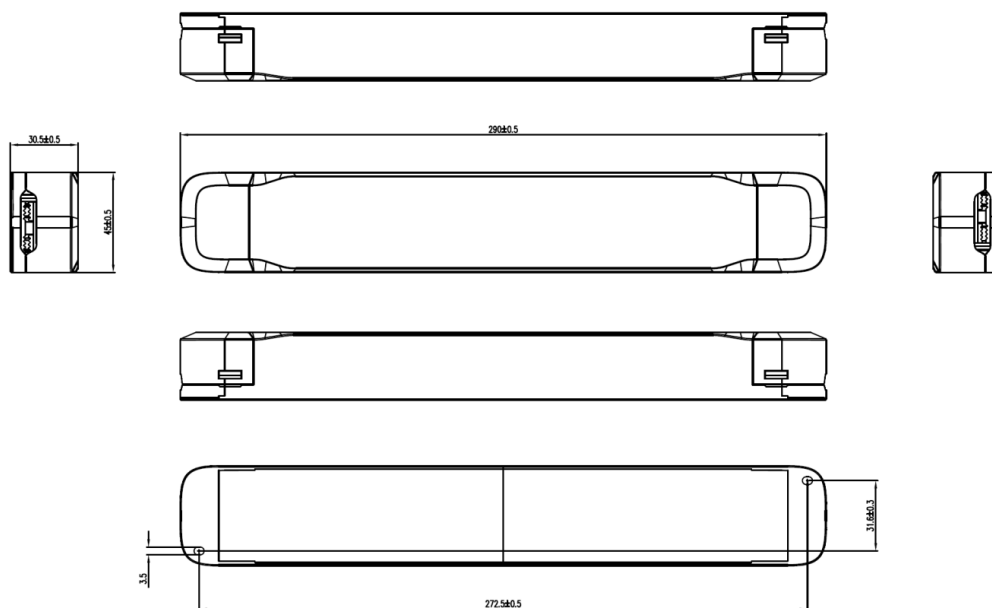
The values are indicative. Each connection may increase the total voltage drop.

GLEV-DAL2-80W-24 E

Wiring diagram

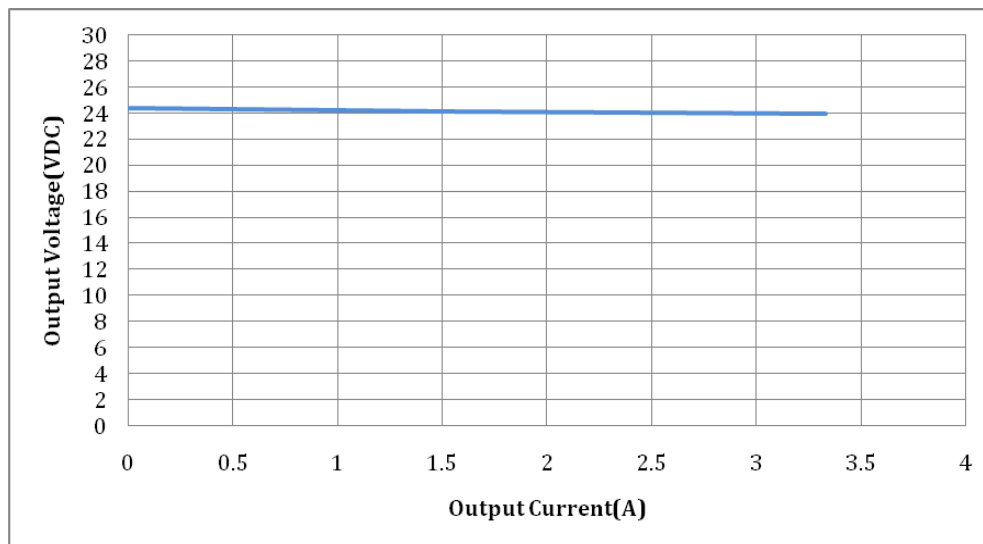


Dimensions



GLEV-DAL2-80W-24 E

Operating Window



— Operating window 100%